

FDR Design, Inc.

303 12th Ave. South
Buffalo, MN 55313
phone: 763-682-6096
fax: 763-682-6197

**Gas Sensor Measurements
1.68.01A/K Boards &
Orange Lead Sensors**

Created:

9/3/03

CG

Scale:

1/1

Sheet 1 of 3
Drawing Number:

11630-A

	Lance placement	Sensor sees...	Black probe on...	Red probe on...	Pot	Meter scale	To do	Record readings	Normal readings
1	free air	air	common	tab	zero	DCV 2000m	dial pot to max value; record reading; dial back to 0013		DCV 2000m 800-1200
2	free air	air	common	sensor 23ma +	n/a	DCV 20	record reading		DCV 20 2.0-3.0
3	test jug	argon	common	output	gain	DCV 20	dial pot to max value; record reading; dial back to 5.00		DCV 20 5.8-7.0
4	test jug	argon	common	sensor 23ma +	n/a	DCV 20	record reading		DCV 20 2.5-3.5
5	test jug	argon	common	tab	n/a	DCV 2000m	record reading		DCV 2000m 300-700
6	n/a	n/a	common	sensor 23ma +	n/a	Ω (Ohm) 200	record reading (power off)		Ω (Ohm) 200 65-85

Date:

Time:

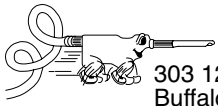
Operator:

Notes:

—
Sensor O-Ride switch should be in up (override) position during all readings

—
The ohms reading of the sensor is affected by temperature; take the reading directly after turning off power for consistent results

Readings



FDR Design, Inc.

303 12th Ave. South
Buffalo, MN 55313
phone: 763-682-6096
fax: 763-682-6197

Gas Sensor Measurements
1.68.01A/K Boards &
Orange Lead Sensors

Created:

9/3/03

CG

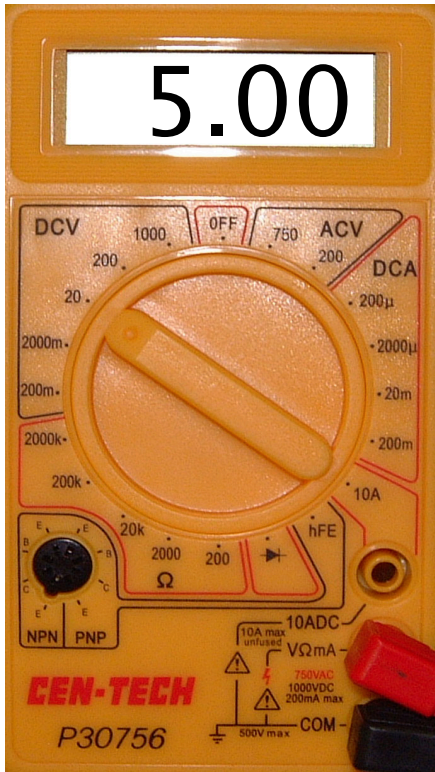
Scale:

1/1

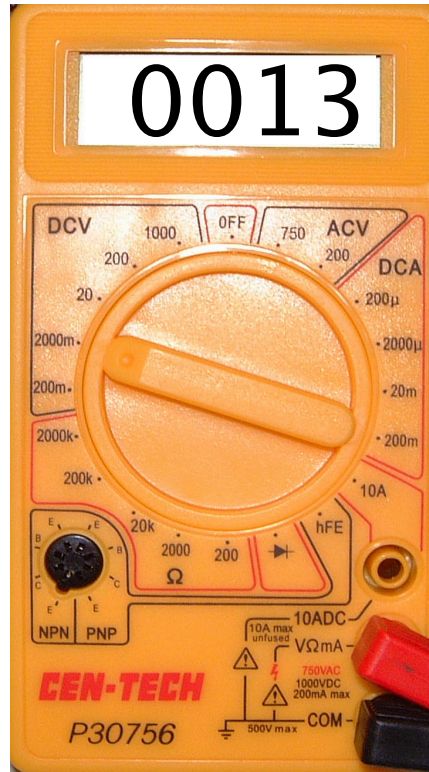
Sheet 2 of 3
Drawing Number:

11630-A

Scale 20 DCV
(20.00 Volts DC)
5.00 = 5 volts



Scale 2000m DCV
(2000 millivolts DC)
0013 = 0.013 volts



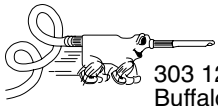
Scale 200 Ohm Ω
(200 Ohms Ω)
73.5 = 73.5 ohms



Notes:

—
Machine must be powered off (or unplugged if there is no power switch) to take the Ohms (Ω) reading

—
If the display reads "1 ." it is overloaded; you need to switch to a bigger scale (ie. from 2000m to 20 on the DCV scale)



FDR Design, Inc.

303 12th Ave. South
Buffalo, MN 55313
phone 763-682-6096
fax 763-682-6197

Gas Sensor Measurements
1.68.01A/K Boards &
Orange Lead Sensors

Created:

9/3/03

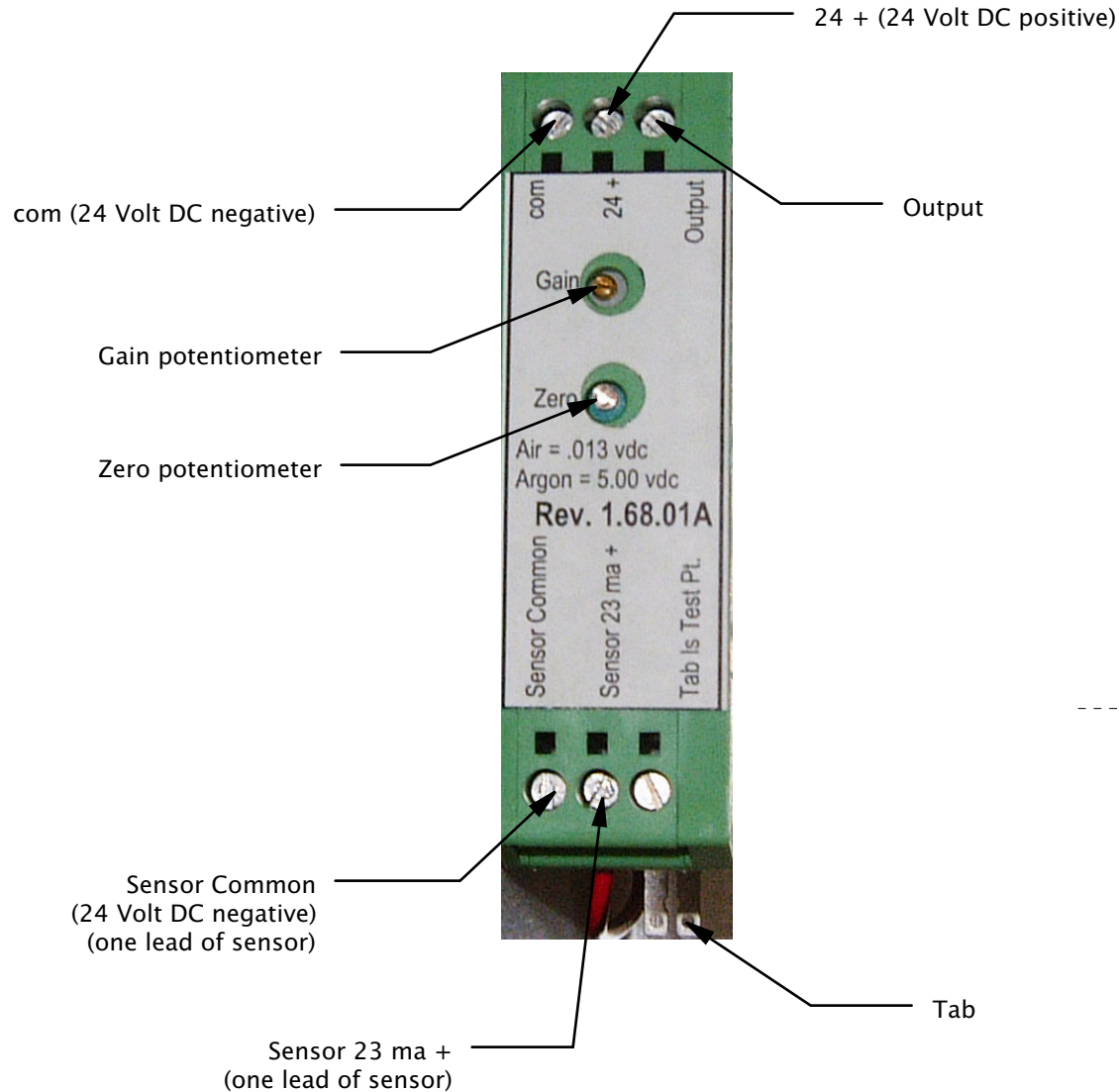
CG

Scale:

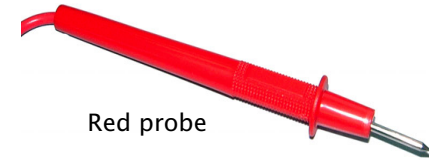
1/1

Sheet 3 of 3
Drawing Number:

11630-A



Black probe



Red probe

Notes:

—
Both commons ("com" & "Sensor Common") can be used interchangeably.

—
Both pots are multiple-turn; they can be turned many times (10-20) before reaching their limits:

- clockwise will increase the number
- counter-clockwise will decrease the number