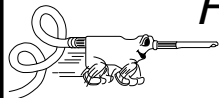
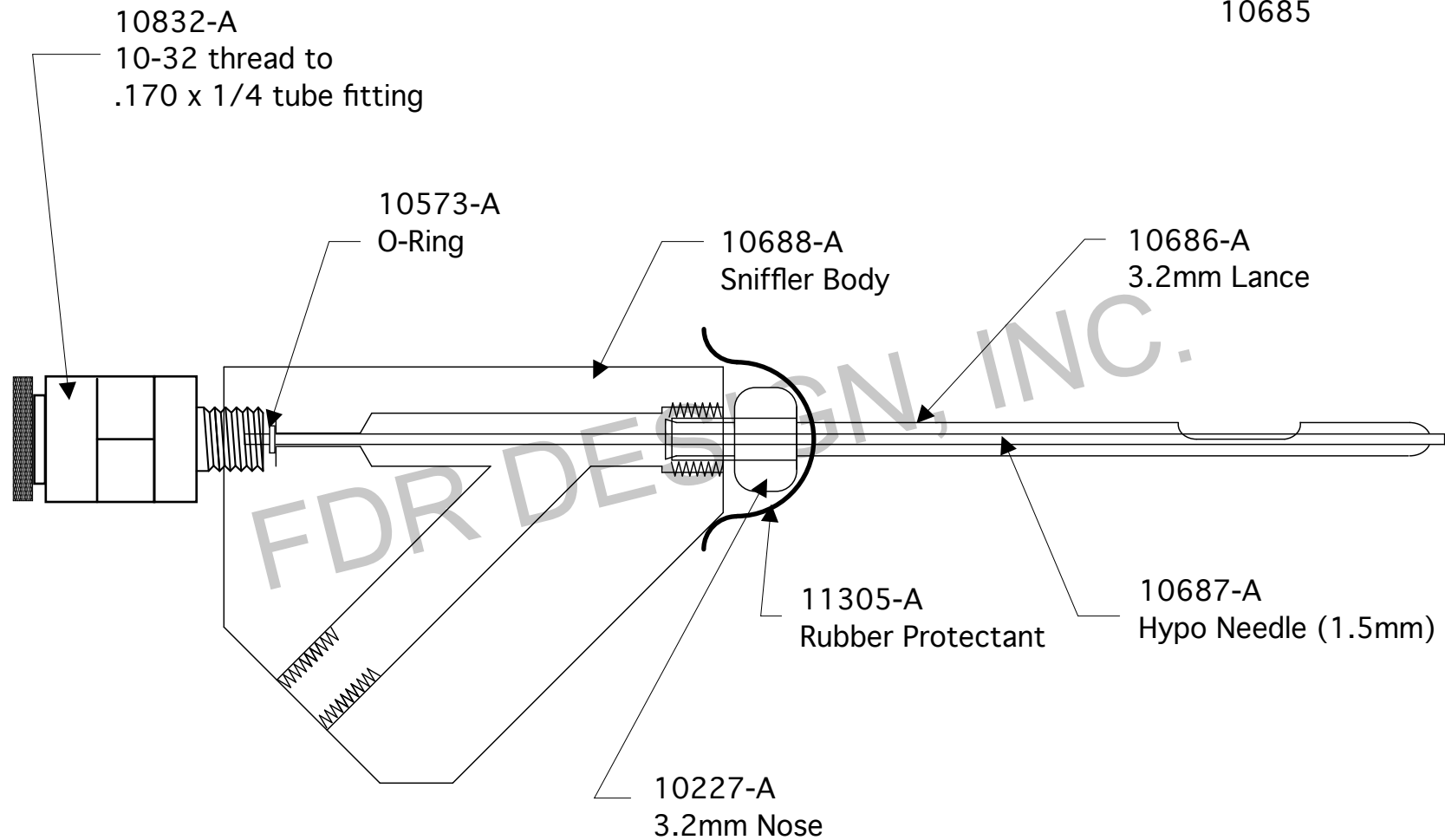


Replacement for
10618
10685



FDR DESIGN, INC.

303 12th Ave South
Buffalo, MN 55313
(763) 682-6096 Fax (763) 682-6197

3.2mm sniffer/filling lance
one hole filling

Created:

1/27/99

RLE

Scale:

2/1

Sheet 1 of 1

Drawing Number:

10894-A

Last Modified:

2/5/03

CG