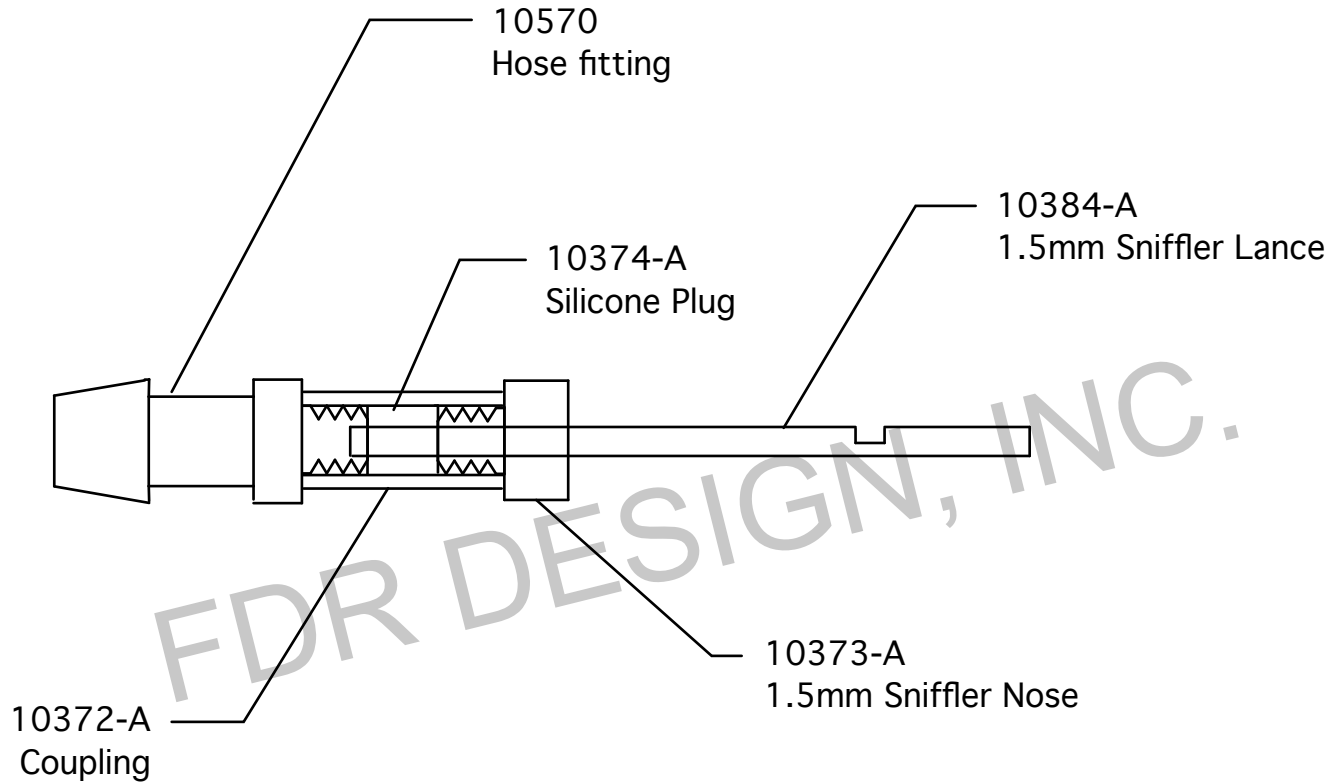
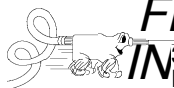


10375-A 1.5mm Sniffler Lance
Complete



Revised 5/25/94 DAN
Revised 9/4/07 JAF



FDR DESIGN,

303 12th Avenue South
Buffalo MN 55313
(612) 682-6096 Fax (612) 682-6197

1.5mm Slow Sniffler

Drawn by:
DAN

Scale:
2/1

Sheet 1 of 1
Drawing Number:

Checked by:
RLE

Date:
2/9/93

10375-A