

FDR DESIGN, INC.

303 12th Ave South
Buffalo, MN 55313
(763) 682-6096 Fax (763) 682-6197

6.3mm smashed lance with
Wilton clamp for RSGh

Created:

11/5/07

DJH

Scale:

1:1

Sheet 1 of 1

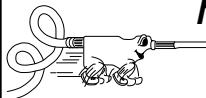
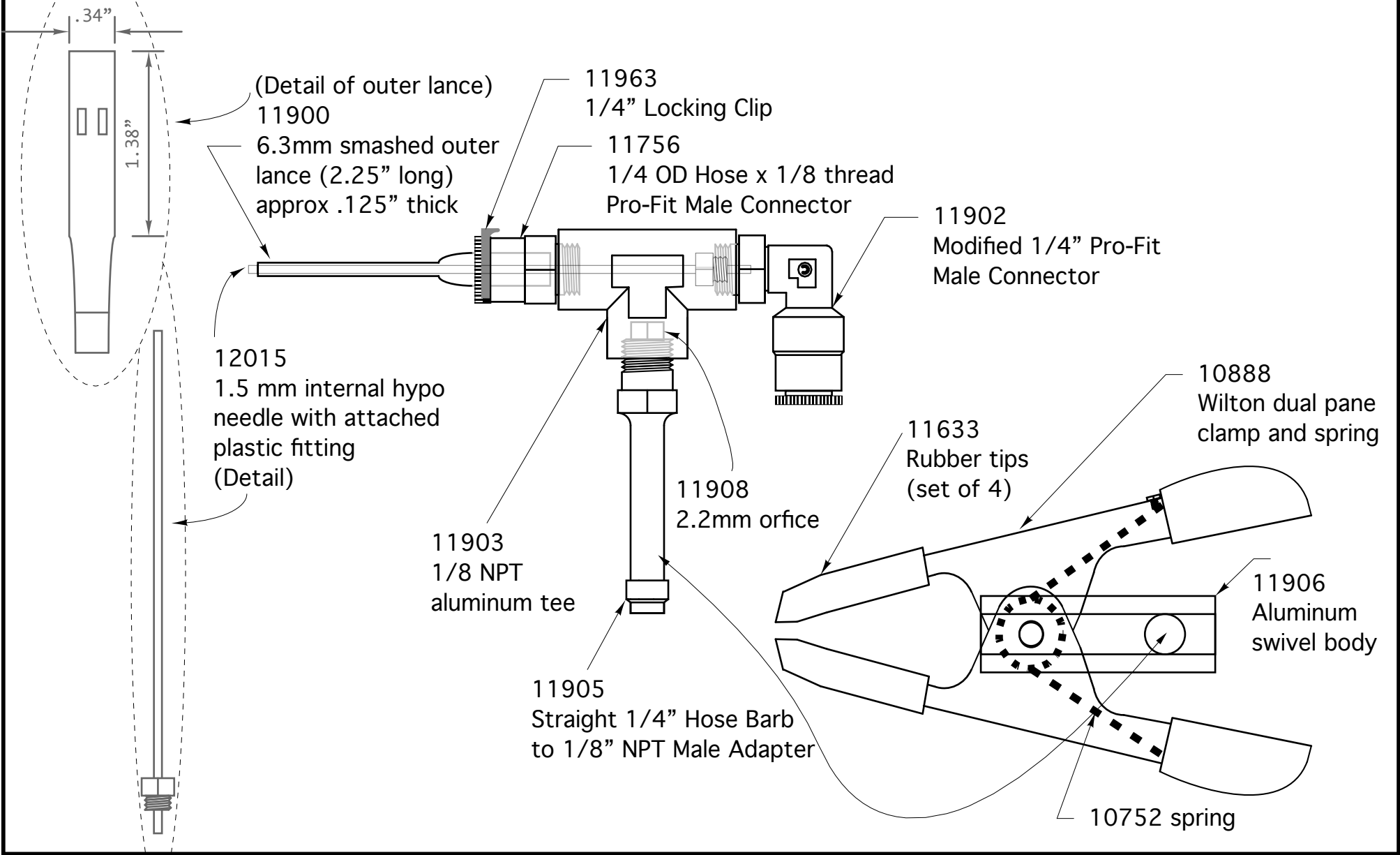
Drawing Number:

11904-A

Last Modified:

11/19/10

DJH



FDR DESIGN, INC.

303 12th Ave South
Buffalo, MN 55313
(763) 682-6096 Fax (763) 682-6197

6.3mm smashed lance with
Wilton clamp for RSGh

Created:

11/5/07

DJH

Scale:

1:1

Sheet 1 of 1

Drawing Number:

11904-A

Last Modified:

11/19/10

DJH